

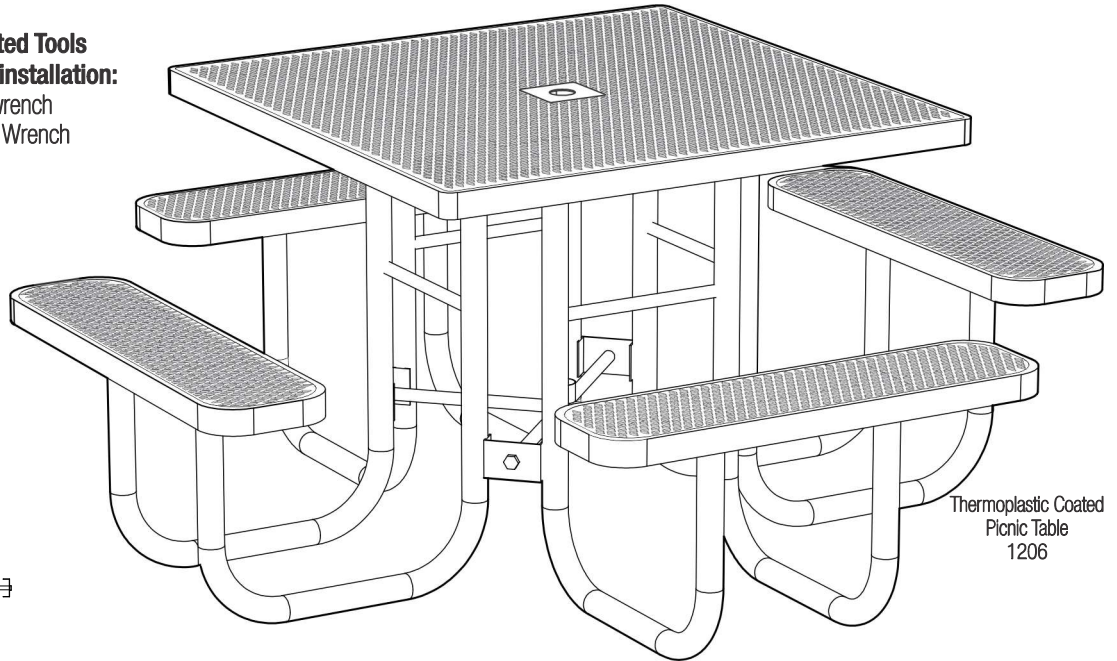
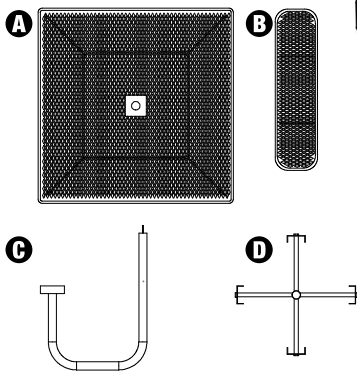
Thermoplastic Coated Picnic Table

Parts Include:

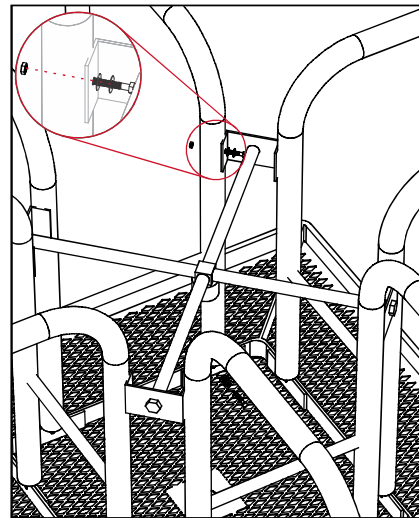
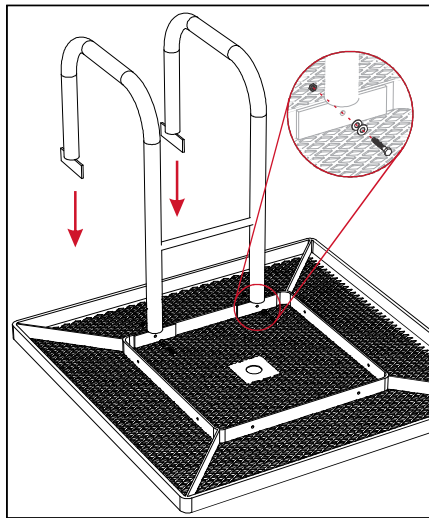
- A. 1 Table Top
- B. 4 Benches
- C. 4 "J" Frames
- D. 1 Cross Frame
- E. 24 1-1/2" bolts
- F. 24 nuts & bolt caps
- G. 48 washers

Suggested Tools for this installation:

- Open wrench
- Socket Wrench
- Level



Thermoplastic Coated Picnic Table 1206



GREAT AMERICAN'S THERMOPLASTIC COATED PICNIC TABLE:

- ★ Assembles in minutes!
- ★ All-metal construction coated with a Premium Polyethylene resistant to chips, cracks and peeling.

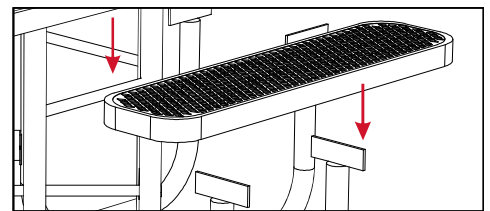


Table Assembly:

1. Lay down all parts on a flat smooth surface. To prevent scratches, make use of a fabric.
2. Lay Table Top with its frame facing up. Align "J" frame with the screw holes located in the table top's frame. Attach each "J" frame using one bolt, one nut and two washers per screw hole. All bolts should be hand tighten until otherwise is specified.

3. Align Cross Brace in the center of the assembly using the tabs located in each "J" frame. Attach Cross Brace using one bolt, one nut and two washers per screw hole.
4. After all "J" frames and Cross Brace have been installed, flip the whole assembly to make it stand upright on its own.

5. Install Benches using one bolt, one nut and two washers per screw hole.
6. Confirm Table Top and Benches are straight by making use of a level. Adjust as necessary. Tighten all bolts using both an open and socket wrenches. Finish installation by placing Bolt Caps on each bolt.

