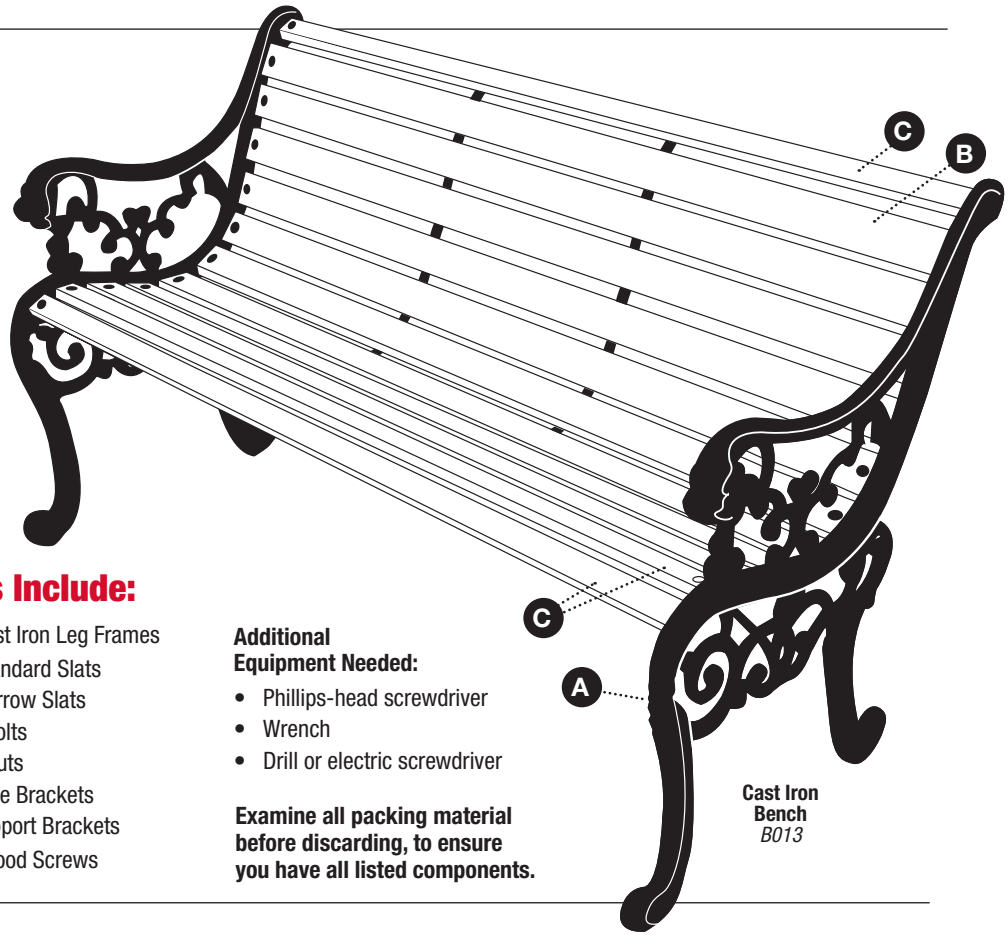
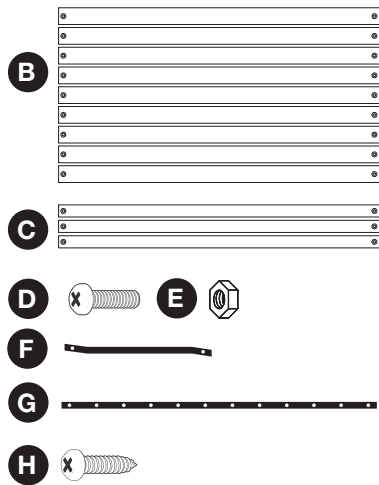


Cast Iron Bench



Parts Include:

- A. 2 Cast Iron Leg Frames
- B. 9 Standard Slats
- C. 3 Narrow Slats
- D. 26 Bolts
- E. 26 Nuts
- F. 2 Side Brackets
- G. 2 Support Brackets
- H. 28 Wood Screws

Additional Equipment Needed:

- Phillips-head screwdriver
- Wrench
- Drill or electric screwdriver

Examine all packing material before discarding, to ensure you have all listed components.

Cast Iron Bench B013

Bench Assembly:

1. To begin, identify the “top side” of the slats by the counter sunk holes where the bolt tops sit. Take two of the narrow slats (C), start from the front edge of the seat and attach each end to a tab on the cast iron legs (A) using a bolt (D) and nut (E). The bolts will be on the top side of the bench and fastened on the underside with the nuts. Continue up the bench with the 9 standard

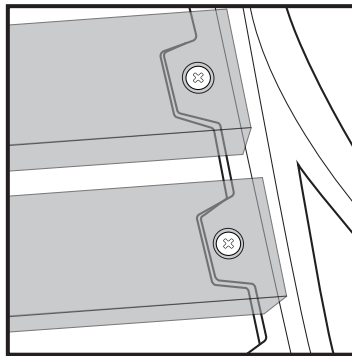


Figure 1: Secure each end of the slat to the tabs of the cast iron legs using the nut and bolt sets.

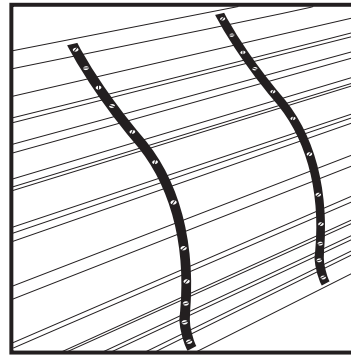


Figure 2: Using a drill or electric screwdriver, attach each support bracket with provided wood screws.

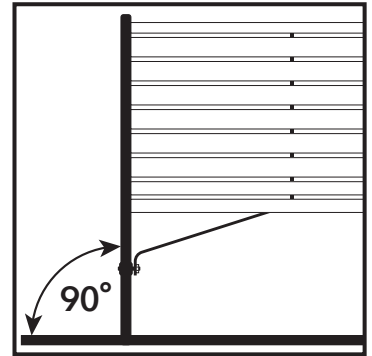


Figure 3: Attach the side brackets. Before securing the wood screw, make sure it sits level to the ground.

slats (B) and finish with the remaining narrow slat at the top edge. Once all slats are attached, check that the cast iron ends are square to the floor and square to the slats. Tighten all nuts and bolts.

2. Flip the seat over and measure 17-18’ from either end to determine where to put the support brackets (G). Using a drill, attach brackets with wood screws to each seat slat. The brackets may require bending slightly to fit the contour of the seats and ensure the screws line up with the slats. *Do not tighten screws completely.*

3. Attach each side bracket (F) to a cast iron leg (A) using the remaining nut and bolt sets. Make sure that the legs are square to the ground and attach the other end of each bracket to the bottom of the seat with a wood screw (H). Finally, check that the bench is square to the ground and tighten the screws. Do not overtighten! Turn the seat to the upright position and sit back and enjoy a job well done!

Assembly Notes: Due to the weight of the cast iron legs, we recommend 2 people for assembly. Due to the nature of hardwood, it may be difficult to insert the wood screws (H). A drill is recommended.

GREAT AMERICAN'S CAST IRON BENCH:

- ★ Designed to hold up to 450 lbs.
- ★ Elegant design for both indoor and outdoor decor.

