

ITEM: BF4

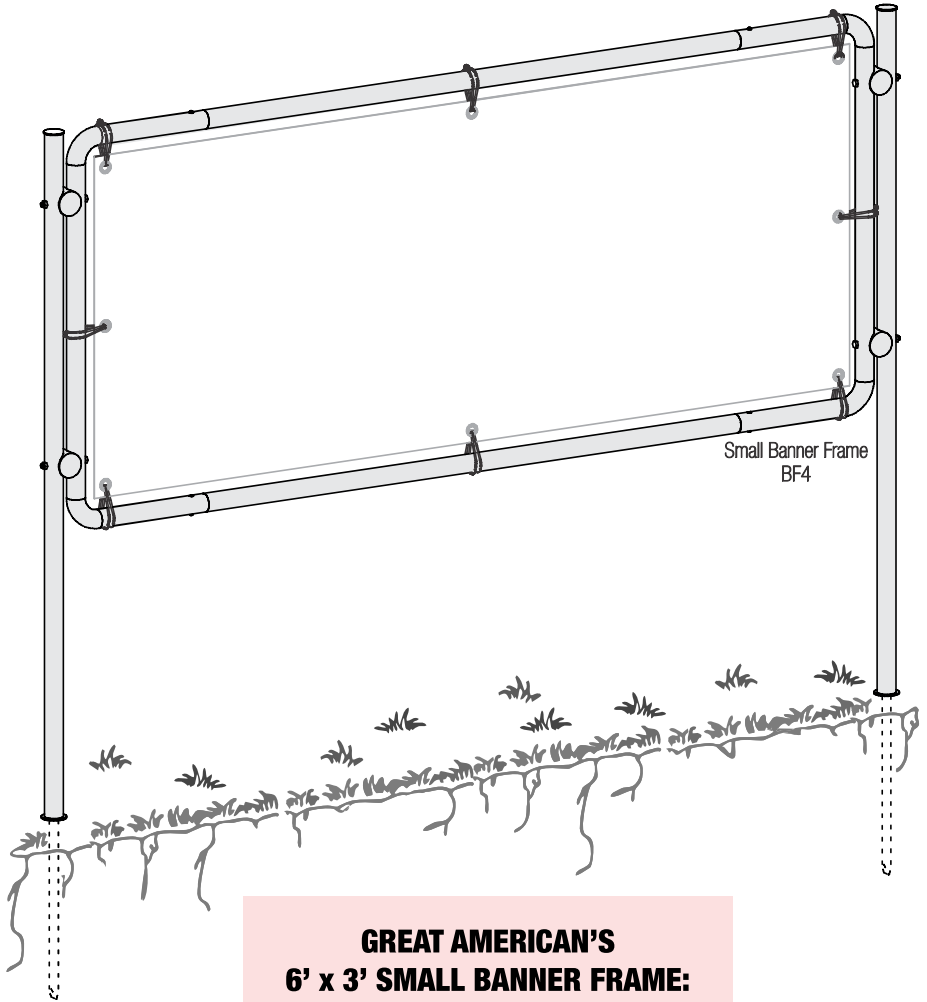
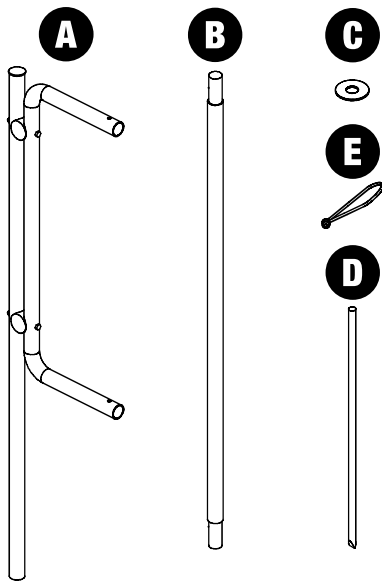
# Small Banner Frame

**Parts Include:**

- A. 2 Side Frames
- B. 2 Horizontal frames
- C. 2 Washers
- D. 8 bungee cords
- E. 2 Fiberglass Ground Stakes

**Required Tools for this Installation:**

- Hammer
- Personal protective equipment

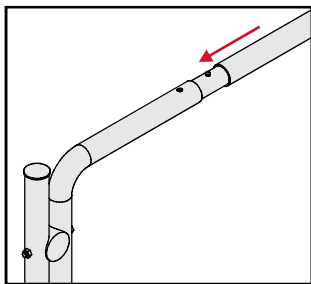


**GREAT AMERICAN'S  
6' x 3' SMALL BANNER FRAME:**

- ★ Easy assembly - install it in minutes!
- ★ Portable - can be moved to any location!

**Frame Assembly:**

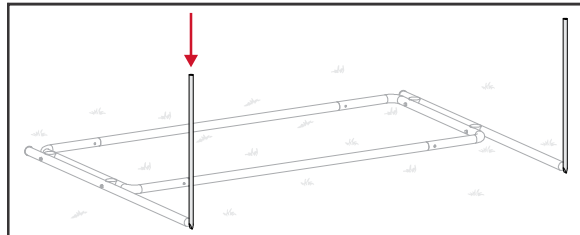
1. Take all frame parts to the location where you'd like the banner to be installed. Lay frame parts on the ground. Attach two horizontal frames (B) by sliding them into one of the side frames (A). Align the spring button on the horizontal frames with the holes on the side frames until the button pops out through the holes in the side frame.



2. Attach the remaining side frame by sliding in both horizontal frames (B) as installed in the last step.

**Frame Installation:**

1. Position assembled frame in the location where you'd like the frame to be installed. Make sure that there are no electric, water or gas lines running underneath the install location. Lay frame on the ground carefully in a way that the legs of the frame stay in the same position. Use legs as reference for installing the ground stakes.



2. Install ground stakes by hammering them into the ground. To prevent damage to the ground stake you may use a wood block between the ground stake and your hammer. Insert ground stakes about halfway into the ground. Make sure to protect your hands by using gloves or hand cloth when installing or handling ground stakes.

3. Insert a washer on each ground stake. Lift banner frame from the ground and slide it into the ground stakes. Install your preferred banner using the provided bungee cords.



**Need Help? Give us a call! Great American • 1-800-231-0329 • www.gabp.com**