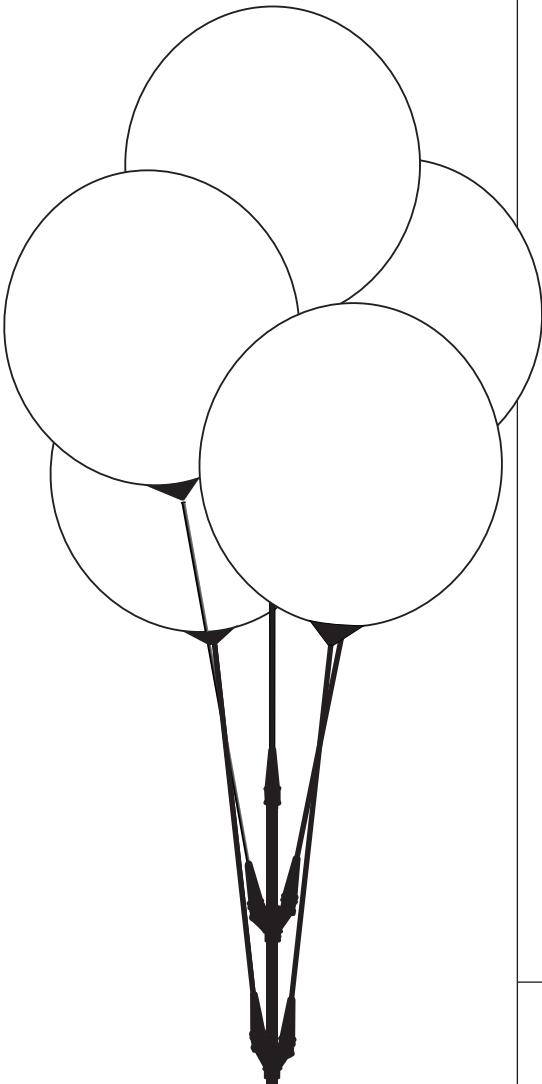


ITEM: BPLATE (for use with Great American's Vinyl Balloon Clusters and Single Poles)

Heavy-duty Base Plate Stand for Reusable Vinyl Balloons

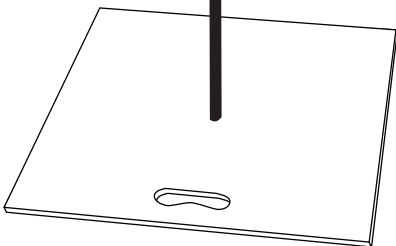
GREAT AMERICAN'S BASE PLATE STAND:

- ★ Place balloons anywhere for maximum visibility
- ★ Sets up in minutes
- ★ Perfect for any flat surface
- ★ Compatible with all Great American Vinyl Balloons



Portable Vinyl Balloon Base BPLATE
(Vinyl Balloon Cluster not included)

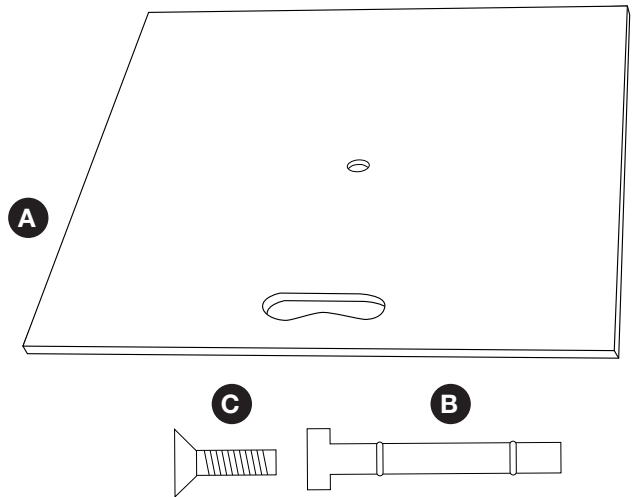
Note:
Bring base and balloons inside in severe wind and weather.



Base Includes:

- A. Metal base plate
- B. Base Post
- C. Base Screw

Additional Items Required:
Allen wrench



Assembly Instructions:

1. On the underside of the base (A), the side with the feet, insert the screw (C) through the hole in the plate and into the base post (B). Tighten with an allen wrench until secure.
2. Place the plate in your desired location, stem side up, and slide your cluster onto the stem.

