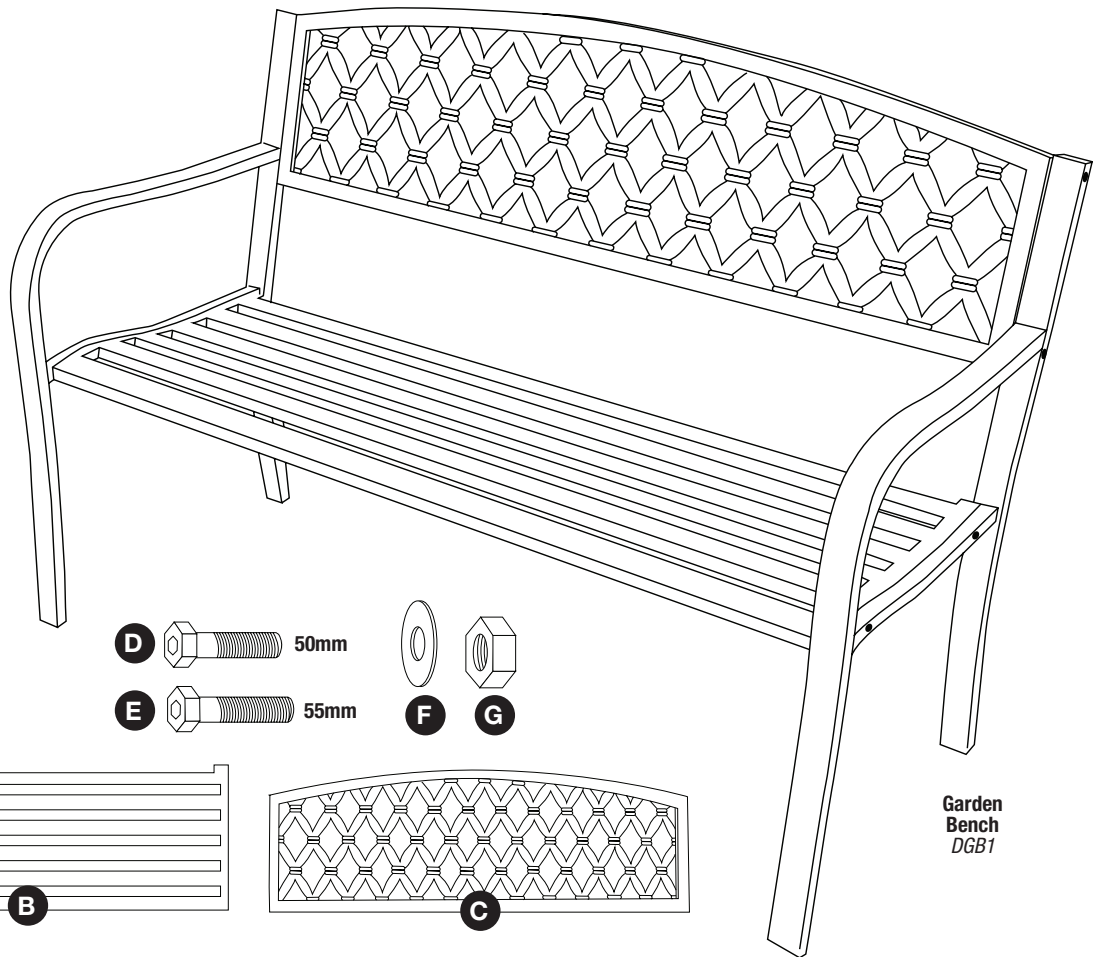


# Garden Bench

**Parts Include:**

- A. 2 Leg Frames
- B. 1 Seat Panel
- C. 1 Back Panel
- D. 4 50mm Bolts
- E. 4 55mm Bolts
- F. 8 Washers
- G. 4 Nuts
- H. Hexagonal wrench



Garden Bench  
DGB1

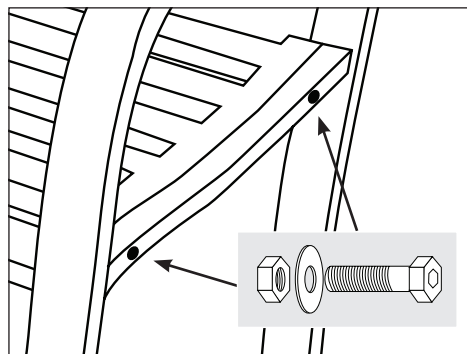
**GREAT AMERICAN'S GARDEN BENCH:**

- ★ Assembles in minutes!
- ★ Powder Coated Finish over Rust-resistant Steel
- ★ Contemporary Design adds instant outdoor appeal

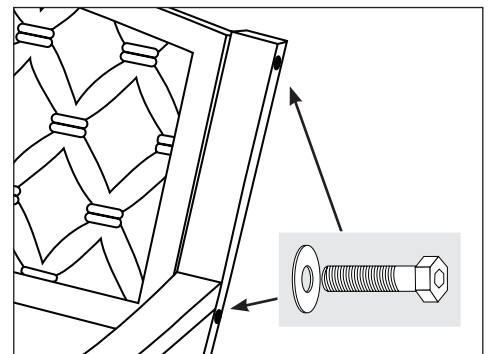
**Bench Assembly:**

Examine all packing material before discarding, or you may lose important components.

1. Assemble bench on a soft, level surface to avoid scratching parts.



2. Use the provided wrench (H) to attach one leg frame (A) to one end of the seat panel (B). Slide a 50 mm bolt (D) through a washer (F) and the aligned holes and secure with a nut (G). Repeat with the other leg. Attach the nuts, but do not tighten completely until the entire bench is assembled and sitting square on the floor.



3. Align the holes on the back panel (C) with the holes in the legs (A) and secure using a 55mm bolt (E) and a washer (F). Repeat on other side. Set bench level on floor and adjust until all four legs are flush and square.

4. Tighten all nuts and bolts on the seat and back panels and you're done!

