

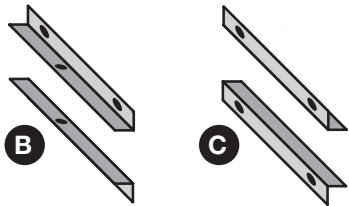
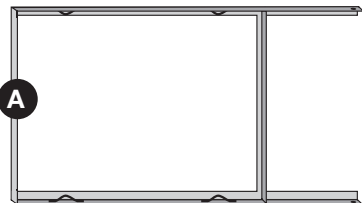
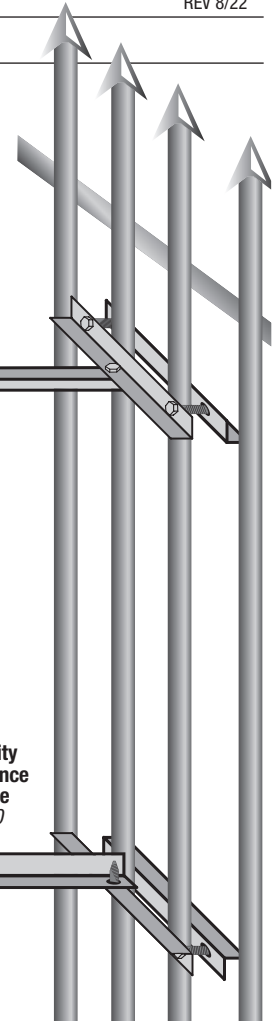
# Amenity Sign Fence Frame

**Amenity Sign Fence Frame Includes:**

- A. 1 24" x 18" Sign Frame
- B. 2 Angle Brackets (with 3 holes)
- C. 2 Angle Brackets (with 2 holes)
- D. 2 3/8" x 7/8" screws
- E. 4 3/8" x 2" hex bolts

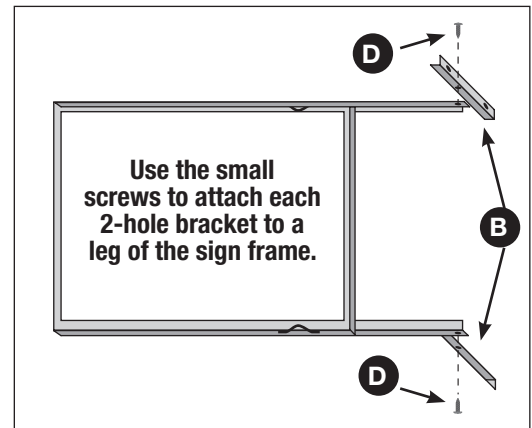
**Additional tools needed:**

- Screwdriver
- Level (optional)
- Wrench (optional)



**Frame Assembly:**

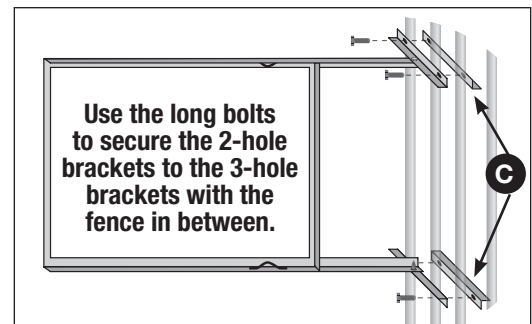
Using a screwdriver, attach one 3-hole bracket (B) to the top leg of the frame (A) through the center hole with one of the two smaller screws (D). The brackets should be secured perpendicularly to the frame on the "outside" of either leg. Repeat on the bottom leg of the frame.



**Fence Installation:**

**1.** Position the frame where you would like it to be installed along your fence. On the back side of the fence, align one of the two-hole brackets (C) to the three-hole bracket on the top leg of the frame. Thread the large bolts (E) through the holes on each end of both brackets, sandwiching the fence in between. Make sure your sign is level and repeat with the brackets on the bottom leg of the frame. Once your sign is in position, fully tighten the bolts to secure.

**2.** Insert your sign through the end of the frame. Make sure to slide it behind the clips to keep your sign secure in any weather.



**GREAT AMERICAN'S FENCE FRAME:**

- ★ Easily attaches to any cast iron fence
- ★ Works with both coroplast or aluminum Bandit Signs

