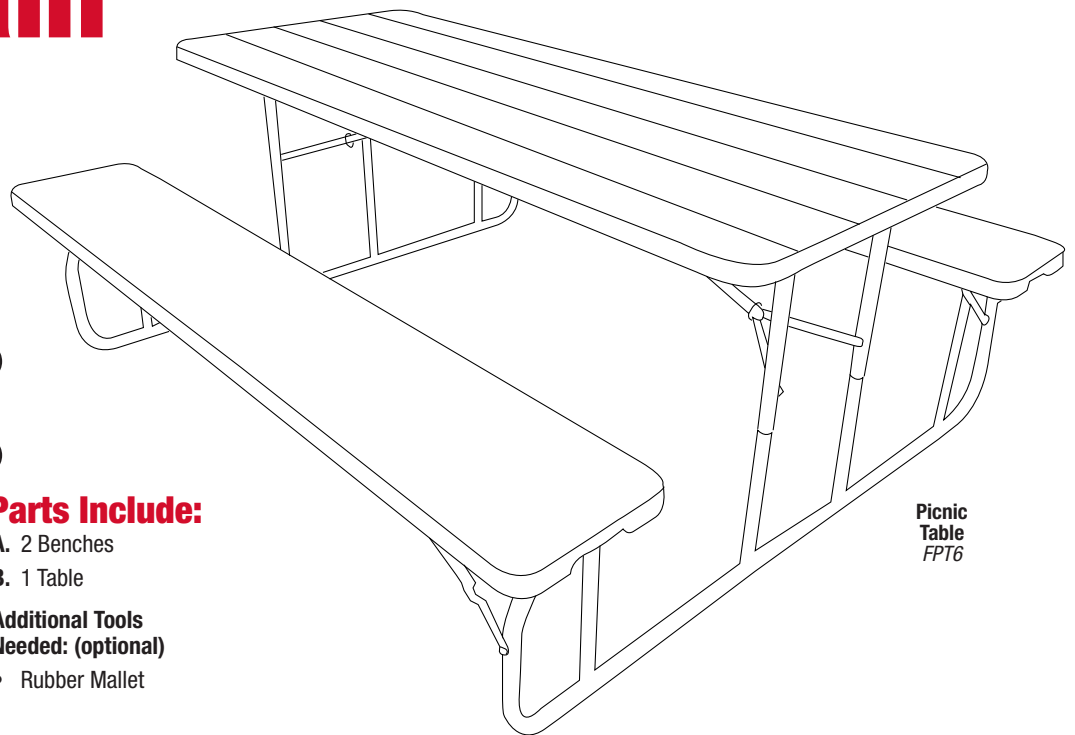
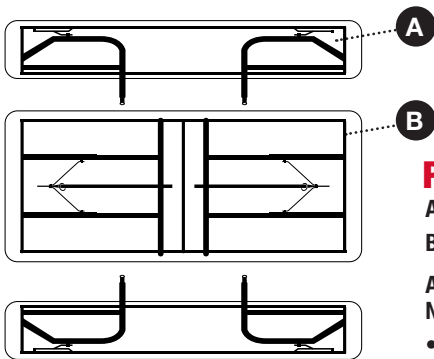


Woodgrain Picnic Table



Picnic Table
FPT6

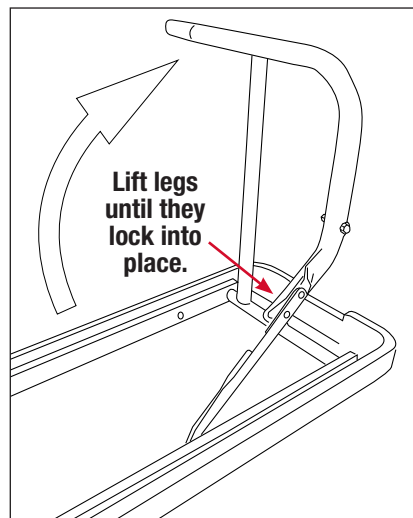
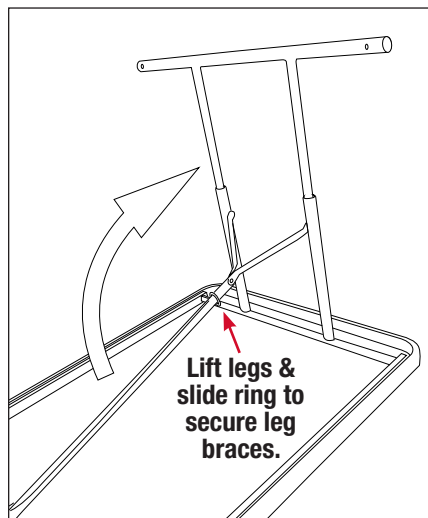


Parts Include:

- A. 2 Benches
- B. 1 Table

Additional Tools Needed: (optional)

- Rubber Mallet



GREAT AMERICAN'S PICNIC TABLE:

- ★ Assembles in minutes!
- ★ Stain resistant, UV-protected high-density polyethylene top

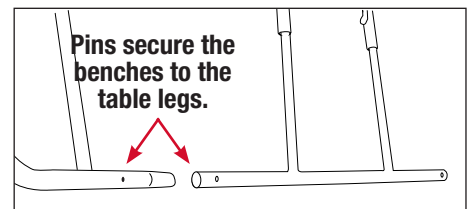


Table Assembly:

1. Unpack the bench and assemble on a large flat area. The box should include 2 benches with attached legs and one table with attached frame.
2. Lay the table (B) bottom side up and flip each leg into an upright position. Flip the table over and slide the rings down over

- the leg braces. Using the locking pins in the leg frame, raise the table to your preferred height and snap in place.
3. Lay each bench (A) seat side down and lift each attached leg until it pops into a locked position. You will see the raised areas on the leg hinge snap into place for stability.

- Turn the benches back into an upright position.
4. Align each bench to the table and push the tapered end of the bench leg into the table leg until the locking pin snaps into place. If necessary, gently use a rubber mallet to tap the pieces together.

