



Hot Coal Bin Container

(Item HCB)

The Hot Coal Bin allows residents and maintenance staff to keep grill areas clean with minimal effort. The square top funnels down to a grated opening sized to keep trash out and allow charcoal to slip through.

Product details:

- Provides fire-proof containment of unextinguished embers
- Designed to be anchored to concrete for safety (hardware not included)
- Heavy 14 guage steel construction
- Weighs 84 lbs. when assembled
- Full length hinge on door
- Lockable tension latch
- Not recommended for salt-air and humid climates
- Available in 2 colors

Construction details:

- Hot Coal Bin consists of three side panels, one door panel and a four-sided funnel shaped top and made of 14 ga. die-formed steel. The top grate is constructed of eight 1/2" A-36 steel rods spaced at 2-3/8" centers and arranged in a criss-cross pattern. 25 2-1/8" openings are sized for full-sized charcoal briquettes to pass through while restricting larger objects from entering the bin. All exposed edges and corners are rounded.
- A .06" x 2" x 28" piano hinge attaches the door panel to one of the side panels. A 1" wide support strap maintains the box shape at the bottom of the side with the door. The door is secured by a tension latch.



- Bin is 22-7/16" w x 22-1/4" deep x 32-7/16" high with a 1" mounting flange included on the three non door panels for an overall width of 24-1/4" and depth of 23-1/2".
- Entire unit is finished in high temperature, heat resistant, nontoxic black enamel.
- Two identification decals are included.
- Optional accessories include a 31 gallon galvanized steel bin liner (Item RBIN). Available with or without lid.

Why buy from Great American Property Management?

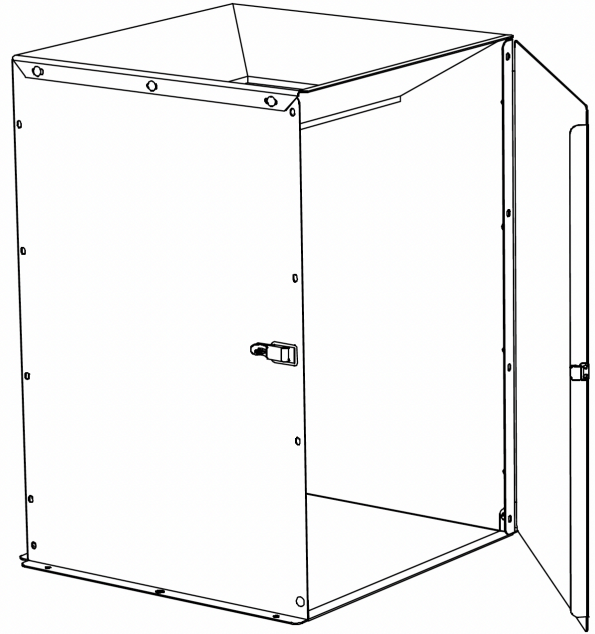
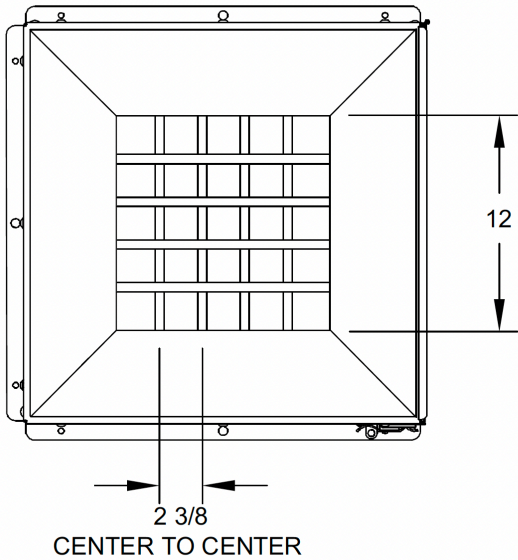
Here's the #1 thing you should know about us:

Our job is it to make your Property Management job easier.

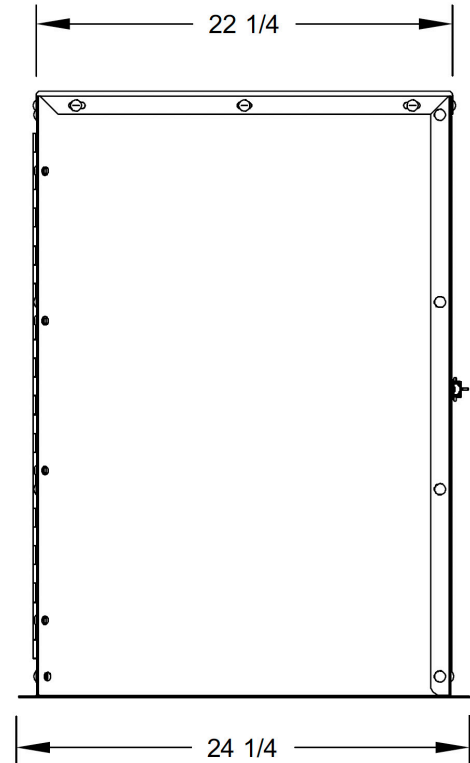
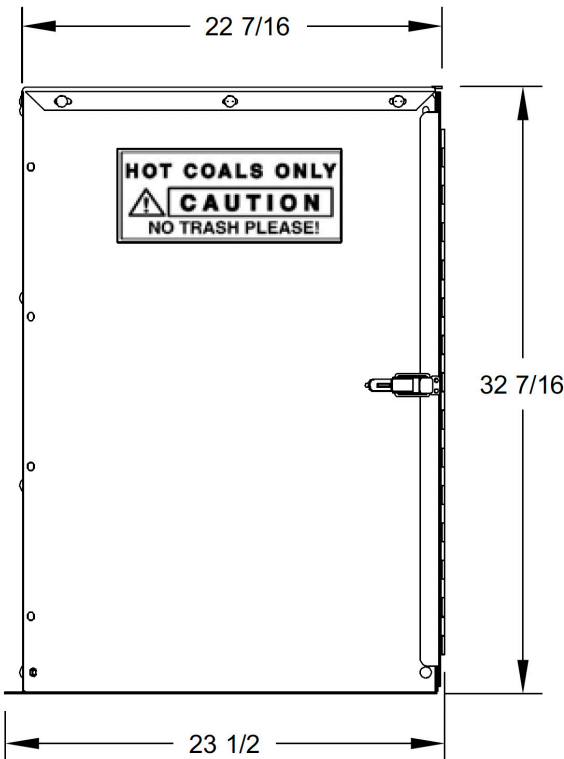
Our company, catalog, website, and everything we do is focused on helping YOU. You can count on us for great Property Management products at great prices backed by genuinely great service. Our products, people and the way we do business will help you keep the property you manage humming along and your residents happy.

- ✓ **FAST SHIPPING**
- ✓ **VOLUME DISCOUNTS**
- ✓ **INSTANT CREDIT**
- ✓ **HASSLE-FREE GUARANTEE,**
If you're not happy, we're not happy until we make it right or your money back!

Great American Property Management: www.gabpproperty.com • 1-800-231-0329



ALL DIMENSIONS IN INCHES



TITLE:

HOT COAL BIN



DRAWN BY: KFM

REV: 2/2025

ITEM: HCB

Great American Property Management: www.gabpproperty.com • 1-800-231-0329