

ITEM: KPAW48

Low Profile Paw Pal® Pet Waste Station

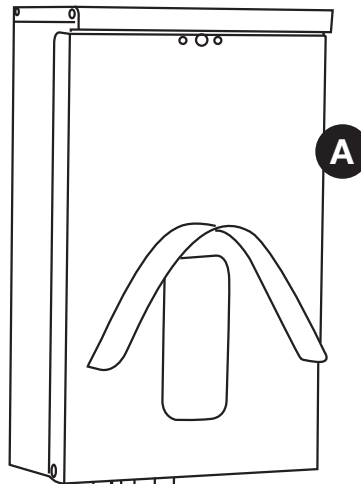
GREAT AMERICAN'S LOW PROFILE PAW PAL® STATIONS:

- ★ ADA Compliant
- ★ Lifetime Guarantee
- ★ Rust-Proof Construction
- ★ Universal Fit holds all bags on header cards or rolls

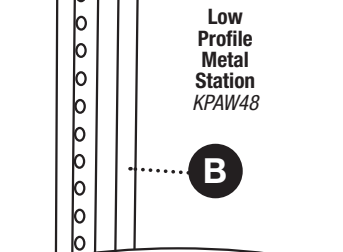
SAVE BIG AND NEVER RUN OUT OF BAGS AGAIN— JOIN OUR VIP REFILL PROGRAM TODAY!

- ★ **Free Shipping on every refill bag order!**
- ★ **Volume Discount Pricing**— lock in prices at your annual quantity!
- ★ **Flexible Delivery**— adjust your order frequency and quantities at any time.
- ★ **No obligations**— this program is designed to save you money, not lock you into commitments. Pause and restart at any time!

CALL & JOIN TODAY!

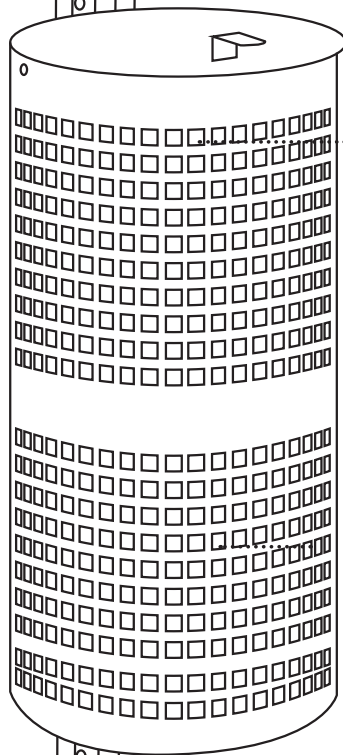


A

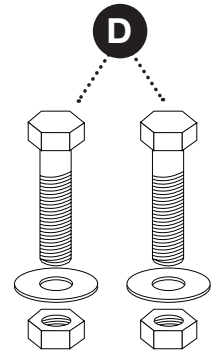


Low Profile Metal Station KPAW48

B



C



D



E



F

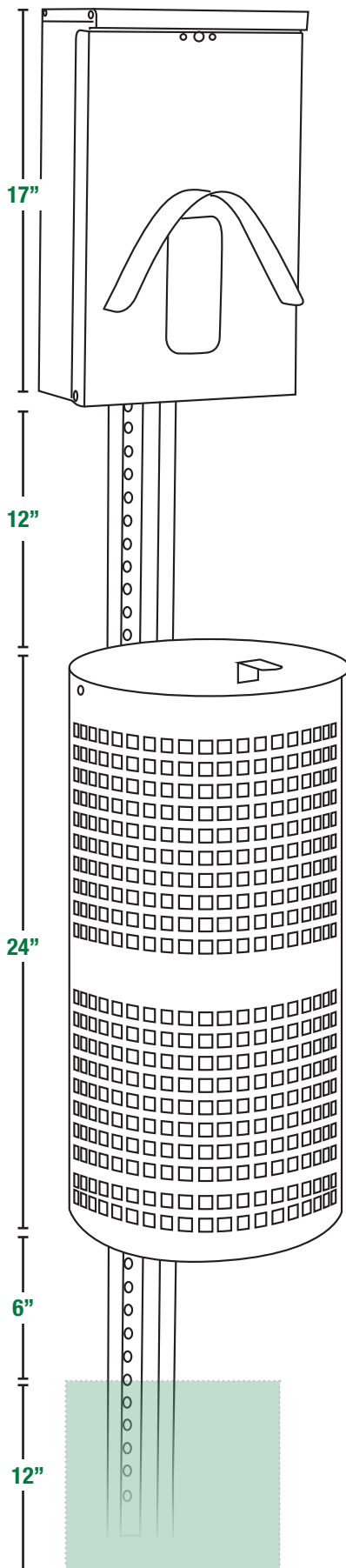
Low Profile Metal Kit Includes:

- A. 1 Dispenser Box (*Item PAWBOX*)
- B. 1 6-ft Steel Sign Post (*Item SP6*)
- C. 1 10-gal Waste Receptacle with attached lid (*Item SMR10*)
- D. 2 Mounting Hardware Sets— each set includes 2 nuts, bolts and washers
- E. 80 Pet Waste Bags (*Item PAWBAG*) or 1 box of Pet Waste Bags (*Item PAWBAG3*)
- F. 50 Waste Receptacle Liners

Optional Tools Needed:

- Socket Driver or Adjustable Wrench
- Level
- Post Hole Driver





1. Pole Installation

Using a post hole driver (not included), drive the sign post (B) approximately 12-15" into the ground. Make sure that the "hollow" or "recessed" side of the post is facing where you want the front of the unit to face. We recommend that the pole is no less than 12" underground to support the weight of the waste receptacle (C) properly. Use a level (not included) to ensure the pole is standing upright and will properly support the unit. Adjust if necessary.

2. Station Assembly

1. Using the first hardware set (D), attach the dispenser box (A) directly at the top of the sign post. Open the box, align the holes to the steel post and attach with the two bolts. The washers should be used on the inside of the box with the nuts secured to the outside/back of the post.

2. Using the second hardware set (D), secure the waste receptacle (C) to the steel post at the top and the bottom with the washers facing the inside of the waste can and the nuts on the outside/back of the post. Make sure that the receptacle is approximately 12 inches below the dispenser box to allow for the lid to be open and trash to be easily removed. This should leave your receptacle approximately 6 inches off the ground which will help prevent any damage to the station from bad weather conditions.

3. Station Preparation

Insert one waste liner (F) into the waste receptacle and fold over the rim. Open the dispenser box and insert up to 10 header cards of bags (E) onto the prongs inside the dispenser. Close the station, pull the top bag through the hole and you're all set!

Note: This dispenser fits all types of bags. If you are using boxed bags (PAWBAG3), you will need to slip a converter (Great American Item PAW22) onto the prongs inside the dispenser and insert the boxes into the converter.

Please contact us immediately if you have any missing or damaged items or need any additional assistance. Thank you.

