

# Combo Pet Waste Station

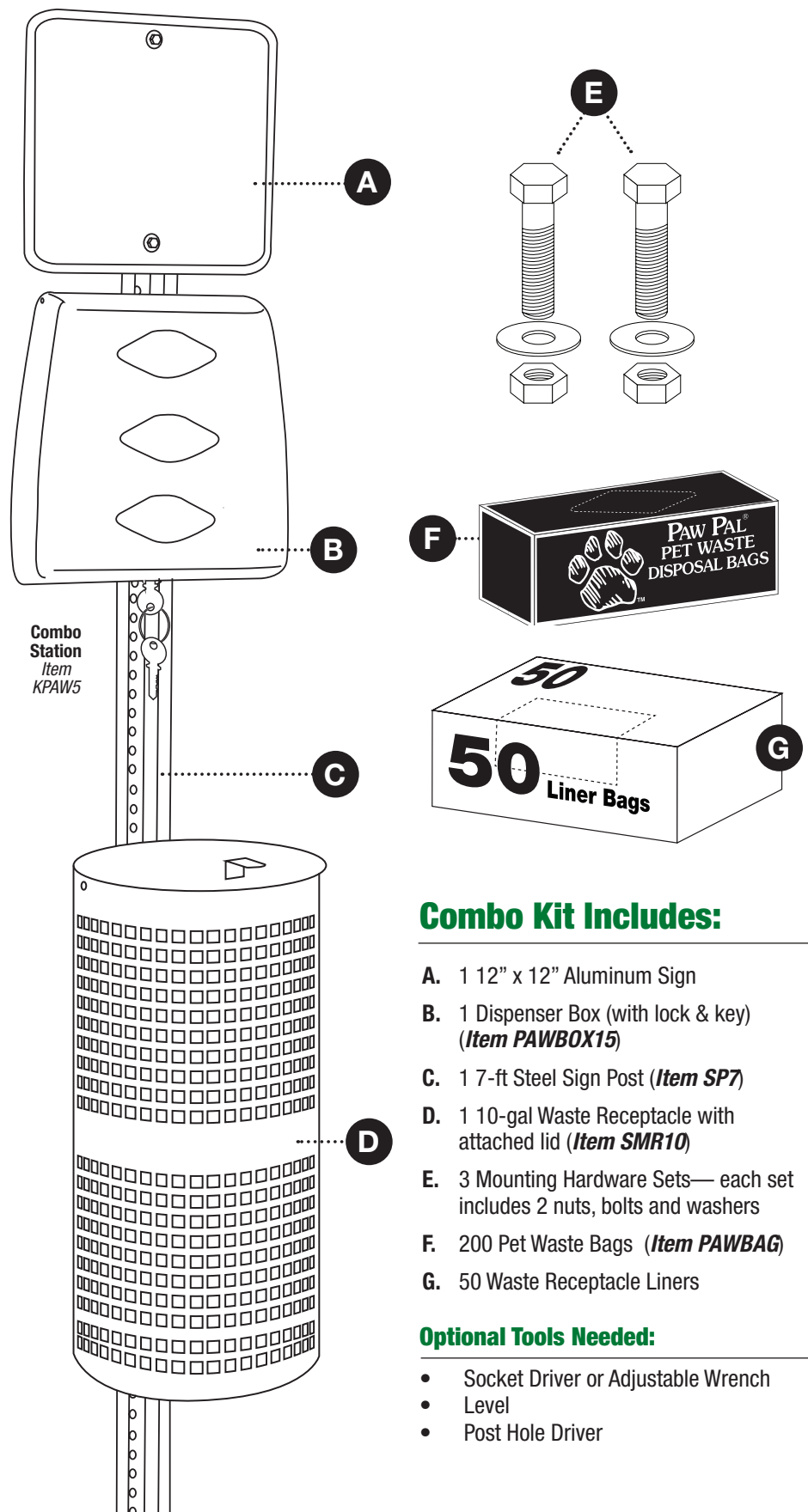
## GREAT AMERICAN'S COMBO PAW PAL® STATIONS:

- ★ 100% Lifetime Guarantee
- ★ Rust-Proof Construction
- ★ Universal Fit holds all bags on header cards or rolls

## SAVE BIG AND NEVER RUN OUT OF BAGS AGAIN— JOIN OUR VIP REFILL PROGRAM TODAY!

- ★ **Free Shipping on every refill bag order!**
- ★ **Volume Discount Pricing**— lock in prices at your annual quantity!
- ★ **Flexible Delivery**— adjust your order frequency and quantities at any time.
- ★ **No obligations**— this program is designed to save you money, not lock you into commitments. Pause and restart at any time!

**CALL & JOIN TODAY!**



## Combo Kit Includes:

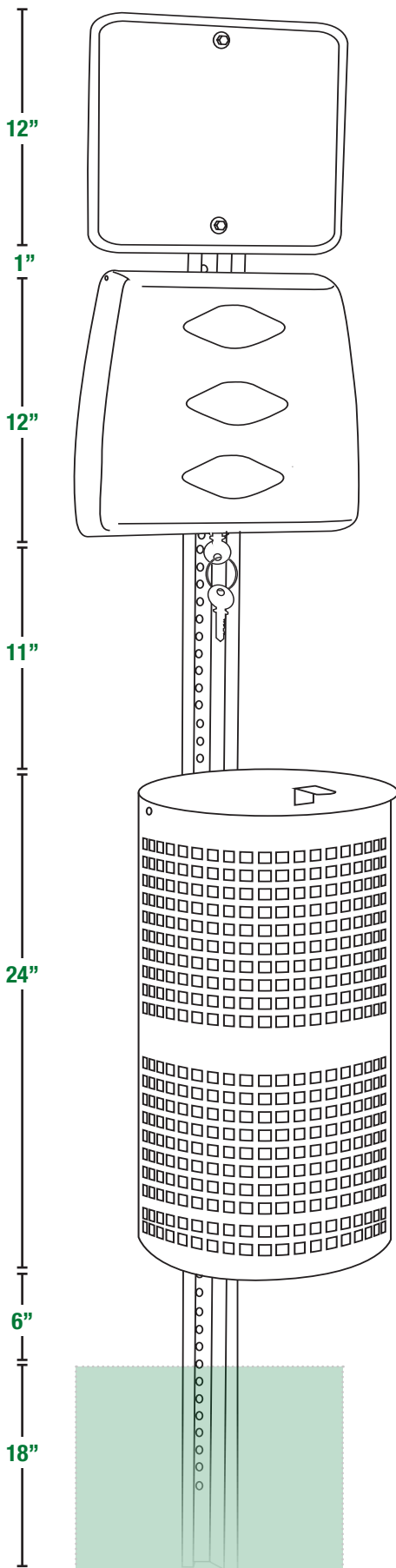
- A. 1 12" x 12" Aluminum Sign
- B. 1 Dispenser Box (with lock & key) (Item PAWBOX15)
- C. 1 7-ft Steel Sign Post (Item SP7)
- D. 1 10-gal Waste Receptacle with attached lid (Item SMR10)
- E. 3 Mounting Hardware Sets— each set includes 2 nuts, bolts and washers
- F. 200 Pet Waste Bags (Item PAWBAG)
- G. 50 Waste Receptacle Liners

## Optional Tools Needed:

- Socket Driver or Adjustable Wrench
- Level
- Post Hole Driver



# 1. Pole Installation



Using a post hole driver (not included), drive the sign post (C) approximately 15-18" into the ground. Make sure that the "hollow" or "recessed" side of the post is facing where you want the front of the unit to face. We recommend that the pole is no less than 15" underground to support the weight of the waste receptacle (D) properly. Use a level (not included) to ensure the pole is standing upright and will properly support the unit. Adjust if necessary.

## 2. Station Assembly

1. Using the first hardware set (E), secure the sign (A) to the top of the steel post (C) with a bolt and washer at the top of the sign and another at the bottom. The washers should be next to the printed side (front) of the sign and the nuts are secured on the outside/back of the post. To ensure the best outcome, make sure the sign is flush with the top of the pole.
2. Using the second hardware set (E), attach the dispenser box (B) directly under the sign leaving about 1" in-between. Open the box, align the holes to the steel post and attach with the two bolts. The washers should be used on the inside of the box with the nuts secured to the outside/back of the post.
3. Using the final hardware set (E), secure the waste receptacle (D) to the steel post at the top and the bottom with the washers facing the inside of the waste can and the nuts on the outside/back of the post. Make sure that the receptacle is approximately 10-12 inches below the dispenser box to allow for the lid to be open and trash to be easily removed. This should leave your receptacle at least 6 inches off the ground which will help prevent any damage to the station from bad weather conditions.

## 3. Station Preparation

1. Insert one waste liner (G) into the waste receptacle and fold over the rim.
2. Open the dispenser box and insert up to 3 boxes of pet waste bags (F) onto the shelves inside the dispenser. Open each box of bags and pull the top bag through the corresponding hole. Close and lock the dispenser and you're all set!

**Please contact us immediately if you have any missing or damaged items or need any additional assistance. Thank you.**