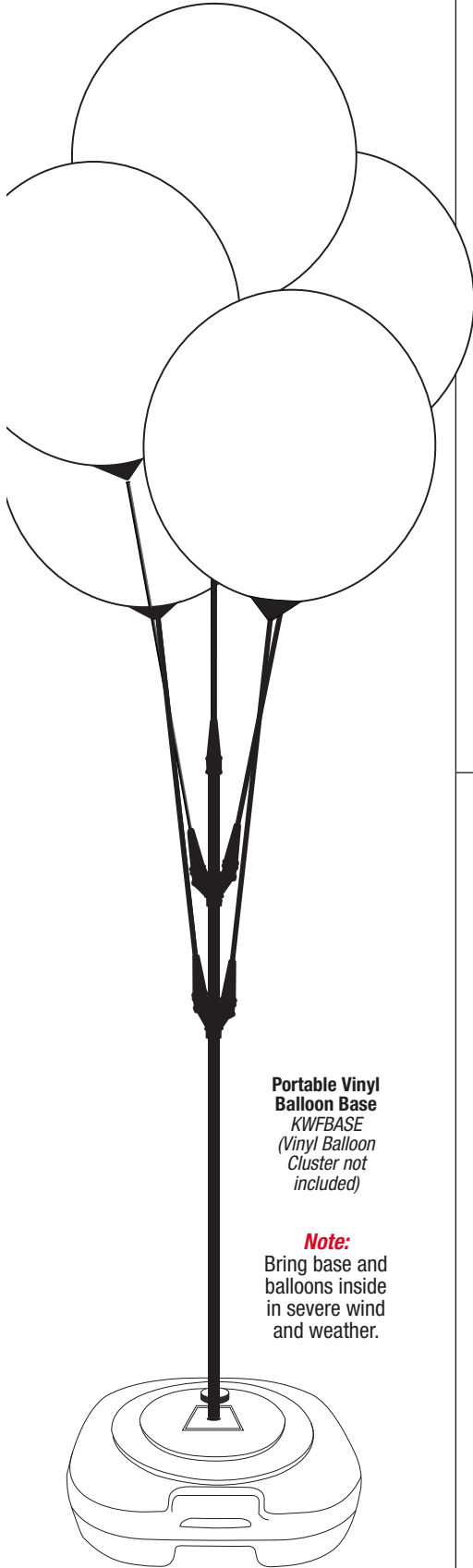


ITEM: KWFBASE (for use with Great American's Vinyl Balloon Clusters and Single Poles)



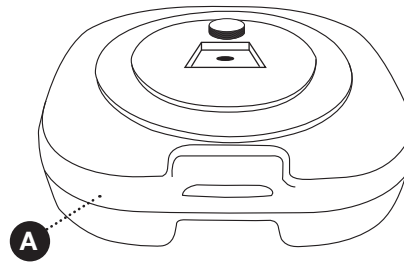
Portable Vinyl Balloon Base
KWFBASE
(Vinyl Balloon Cluster not included)

Note:
Bring base and balloons inside in severe wind and weather.

Indoor/ Outdoor Vinyl Balloon Cluster Base

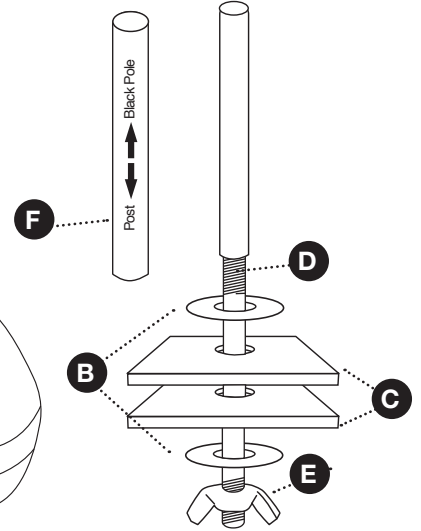
Base Includes:

- A. Plastic Base with detachable fill cap
- B. 2 Small Metal Circle Washers
- C. 2 Large Metal Square Washers
- D. Base Post
- E. Wing Nut
- F. Adapter Sleeve



GREAT AMERICAN'S VINYL BALLOON BASE:

- ★ Place balloons anywhere for maximum visibility
- ★ Sets up in minutes
- ★ Compatible with all Great American Vinyl Balloons



Assembly Instructions:

1. Thread one circle washer (B) and one square washer (C) onto the base post (D) and insert through the center hole of the base (A). On the underside of the base, add the remaining square washer (C), circle washer (B) and the wing nut (E). Secure everything tightly to avoid leaks. Flip over and slide the adapter (F) onto the top of the base post (D). Please note the direction indicated on the adapter.
2. Remove fill cap on top of base and fill with water or sand. Replace the cap and move the base to desired location.
3. Slide your balloon cluster onto the stem.

