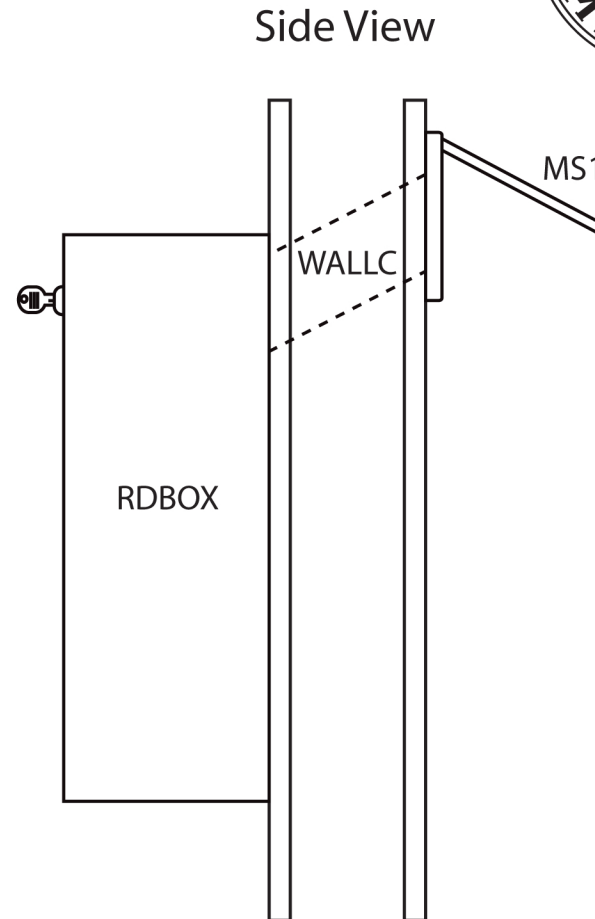
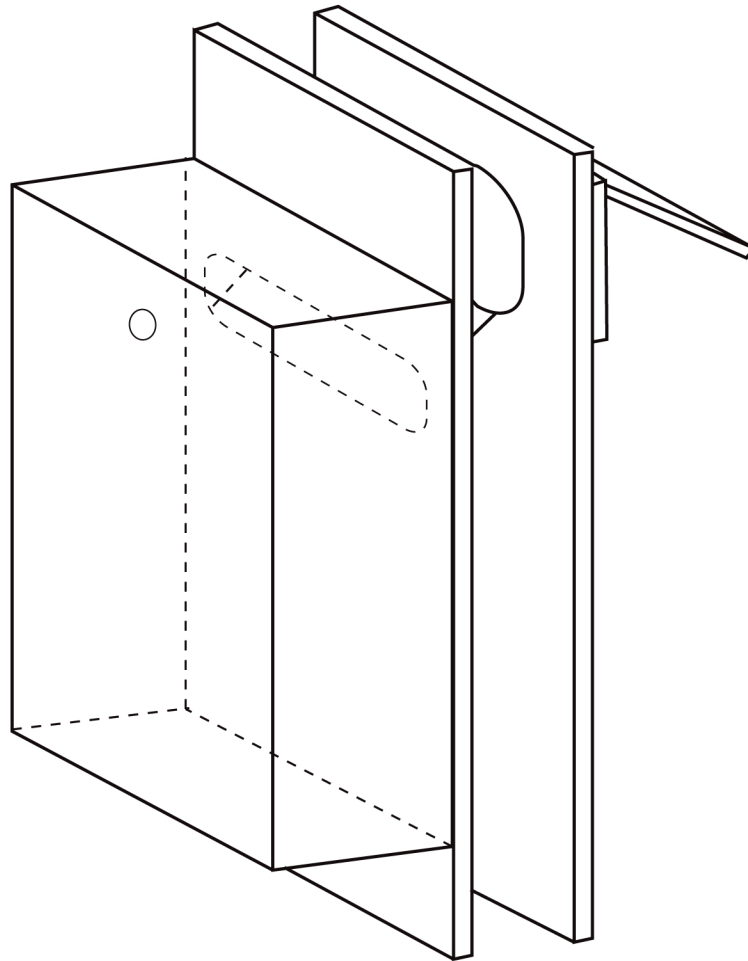


Installation Diagram

item: RDBOX, MS1 & WALLC



Units are surface mounted and mount directly to a flat surface and are secured with mounting hardware through the back panel.

1. Drop boxes(RDBOX) is designed to align with a Mail Slot(MS1) and Wall Chute(WALLC) through the rear opening.
2. Mounting access is provided by opening door. Use appropriate anchors and screws.
Due to variation in wall types, mounting hardware is not provided.